



1 & 2 PC FULL BORE FIRE SAFE BALL VALVES

FLOTRON SERIES

MODELS

T3000 Full Port (2PC)

S3000 Seal Weld (1PC)

3000 PSI WOG

Size: 1/4" - 3"

Full Bore All Sizes
except 2"

THREADED ENDS

ANSI B1-20-1 NPT

Shell Wall ANSI-B16.34

Testing to 4500 PSI

Devlon Seating

TRACEABILITY

FOUNDRY HEAT # FOR ALL VALVES

METAL NAME PLATES IDENTIFYS ALL SOFT PARTS



Design Features:

- Seal Welded Body
- Blow-out Proof Stem Design
- NACE MR0175-90
- Heavy Duty, Rugged Construction
- Live Loaded Stem Packing
- Lockable Handles
- API 607-5th Fire Safe
- API 608 Compliance
- Anti-Static Ground
- Casting Traceability
- Actuator Mounting Pad

Seal Welded Design

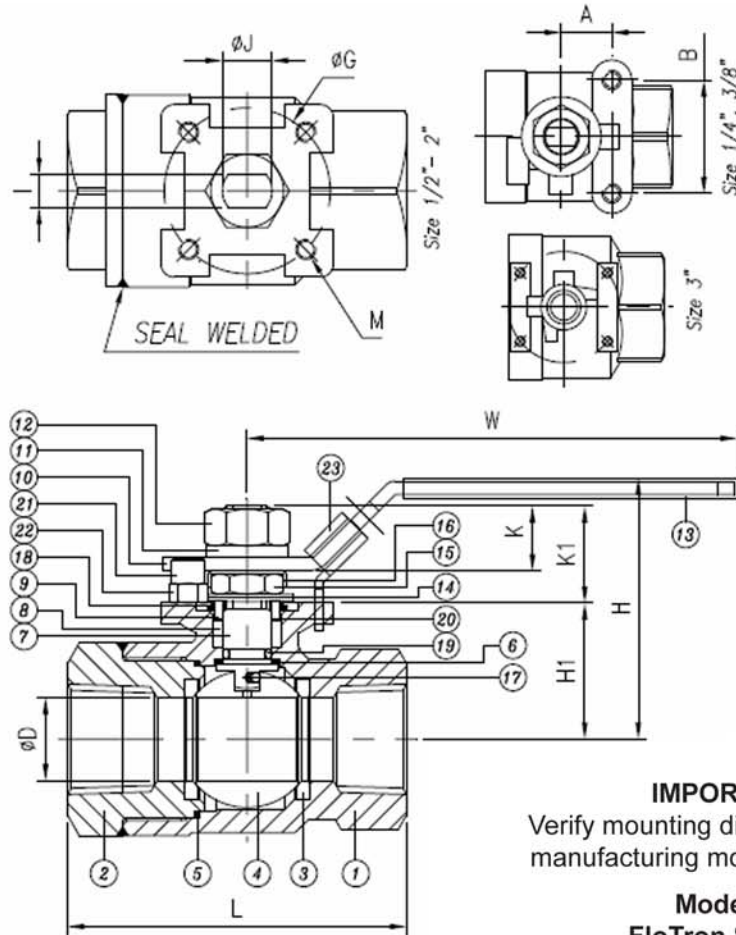
Eliminating the possibility of body tail piece unthreading. Eliminating any possible leakage at body joints - safe, sure pressure containment.

Automatic Welding equipment is used for welding body joints. The welding width is always uniform and the weld penetration is consistent. Our equipment maintains a consistence water flow inside the valve, this assures a safe temperature which prevents damage to all valve seats and seals.

Ideal for Hydraulic, Petrochemical and many other industries that require high pressure shut-off valves

Design and Technical Data

Materials of Construction



No.	Parts	S3000SS / T3000SS	S3000CS / T3000CS
1	Body	ASTM A351 CF8M	ASTM A216 WCB
2	End Cap	ASTM A351 CF8M	ASTM A216 WCB
3	Seat	# Devlon	Devlon
4	Ball	# ASTM A351 CF8M	ASTM A351 CF8
5	Gasket	# Graphite	Graphite
6	Thrust Washer	# PTFE	PTFE
7	Stem	ASTM A276 316	ASTM A276 304
8	Stem Packing	# Graphite	Graphite
9	Gland	SS304	SS304
10	Handle	SS304	SS304
11	Handle Washer	SS304	SS304
12	Handle Nut	SS304	SS304
13	Handle Cover	PVC	PVC
14	Belleville Washer	SS301	SS301
15	Packing Nut	SS304	SS304
16	Nut Lock	SS304	SS304
17	Anti-Static Device	ASTM A276 316	ASTM A276 304
18	Anti-Static Spring	SS301	SS301
19	O - Ring	# Viton	Viton
20	Packing Protector #	25% Carbon PTFE	25% Carbon PTFE
21	Stop Screw	SS304	Carbon Steel
22	Nut	SS304	Carbon Steel
23	Locking Device	SS304	SS304

Parts included in repair kits, T3000 only

IMPORTANT:
Verify mounting dimensions before manufacturing mounting hardware

Models
FloTron Series
S3000 - 1PC (Seal Weld)
T3000 - 2PC (Repairable)

S3000/T3000 Series valves comply with ANSI B16.34

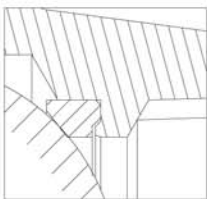
All valves are tested in accordance with ANSI B16.34 & API598.

Threaded End Connections meet ASME/ANSI B1.20.1 NPT.

All S3000/T3000 Series Valves Are Marked with CE

Vacuum service standard valve to 25 torr. Specially prepared valve to 20 microns

Fire Safe Design Feature:



S3000 valves are supplied as standard with graphite stem packing and body seal. Valves are certified fire safe. In the event of fire, after heat destroys the primary resilient seat, the ball makes contact with the secondary metal seat, forming a secure seal. The graphite body seal prevents external leakage. The graphite live-loaded stem packing prevents stem leakage. All valves have anti-static devices as standard, grounding ball and stem to body.

Dimensions and Weights

SIZE	D	L	I	J	K	K1	G	M	H	W	H1	A	B	Cv	Torque in-lbs	Weight lbs
1/4"	0.37	2.52	0.20	0.31	0.31	0.81	-	M5	2.19	3.70	0.71	0.50	1.12	7	131	0.83
3/8"	0.37	2.52	0.20	0.31	0.31	0.81	-	M5	2.19	3.70	0.71	0.50	1.12	8	131	0.87
1/2"	0.49	2.83	0.20	0.31	0.31	0.53	1.42	M5	2.17	5.31	0.96	-	-	10	150	1.0
3/4"	0.79	3.50	0.33	0.47	0.53	0.79	1.65	M5	2.66	6.30	1.32	-	-	35	267	2.42
1"	0.98	4.02	0.39	0.55	0.77	1.14	1.97	M6	3.33	6.89	1.61	-	-	68	553	3.54
1 1/4"	1.26	4.57	0.39	0.55	0.81	1.20	1.97	M6	3.52	6.89	1.79	-	-	110	1109	5.27
1 1/2"	1.50	4.88	0.47	0.75	1.18	1.56	2.76	M8	4.61	9.57	2.39	-	-	155	1541	8.50
2"	1.50	5.51	0.47	0.75	1.18	1.56	2.76	M8	4.61	9.57	2.39	-	-	155	1658	9.75
3"	3.15	8.07	0.63	0.98	1.34	2.03	4.02	M10	6.04	14.57	3.86	-	-	600	3318	38

Pressure/Temperature Chart

