



VCSIL-PT CENTER GUIDED CHECK VALVE THREAD ENDS

Features

- Adjustable - allows control of back pressure in system
- Reduces water hammer, and prevents siphoning
- Easily adjusts to hold back from 5 to 32 feet of pressure head
- 1 psi (2.3 feet of head) for each full turn of the adjustment screw
- Factory Preset to Approx. 5 psi (12 feet of head), 13.8 psi max
- Stainless Steel Adjustment Spring with EPDM Seat
- Ideal for landscape and irrigation applications,
- Quickly installs with space saving in-line design.
- Constructed from PVC Type I, ASTM D 1784 Cell Classification 12454
- All valves shall have external Arrow Flow Indicator

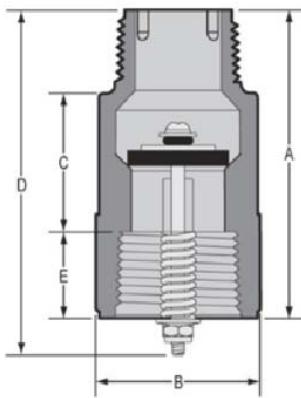
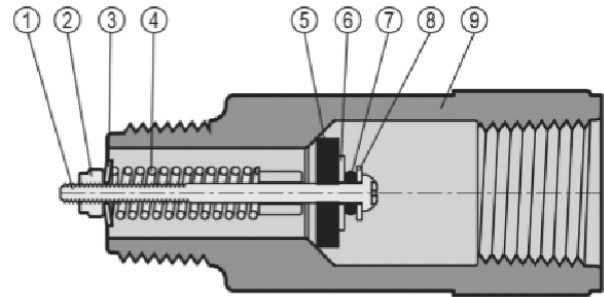


BILL OF MATERIALS

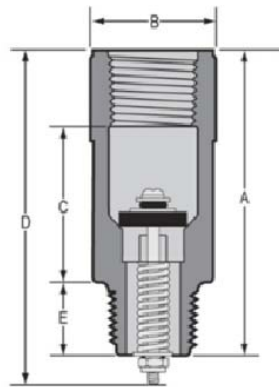
ITEM	DESCRIPTION	MATERIAL
1	Scew	Stainless Steel
2	Nut	Stainless Steel
3	Belleville Washer	Stainless Steel
4	Spring	Stainless Steel
5	Seat	EPDM
6	Washer-A	Stainless Steel
7	O-ring	EPDM
8	Washer-B	Stainless Steel
9	Body	PVC

NON-SHOCK PRESSURE (PSIG) @ TEMPERATURE

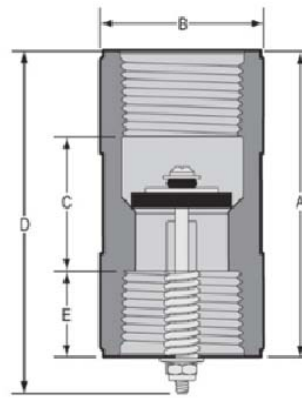
SIZE	MATERIAL	100 (F°)	120 (F°)	140 (F°)
1/2-1	PVC	200	120	50



Female Inlet X Male Outlet
(Standard Unit)
FIG I.



Male Inlet X Female Outlet
FIG II.



Female Inlet X Male Outlet
FIG III.



DIMENSIONS (in)

SIZE	INLET x OUTLET	A	B	C	D	E	FIG.
1/2	FIPT X MPT	2-5/8	1-3/16	1-3/16	2-3/4	3/4	I
3/4	FIPT X MPT	2-5/8	1-3/8	1-3/16	2-15/16	3/4	I
1	FIPT X MPT	3-3/16	1-11/16	1-7/16	3-7/16	7/8	I
1/2 X 3/4	FIPT X MPT	2-5/8	1-3/8	1-3/16	2-15/16	3/4	I
1/2	MPT X FIPT	2-7/8	1-3/16	1-7/16	3-1/8	3/4	II
3/4	FIPT X FIPT	2-5/8	1-3/8	1-3/16	2-15/16	3/4	III

SUITABLE FOR OIL FREE AIR HANDLING TO 25 PSIG MAX. NOT FOR COMPRESSED AIR OR GAS.