



# POOL BUTTERFLY VALVE

Stayflow Pool Series butterfly valves feature a PVC Distinct White Body with Blue Handle readily that identifies this high-quality valve specifically designed for chlorinated water applications such as swimming pools. The fully isolated, nonwetted stainless steel stem with limited-contact EPDM seat provides maximum resistance to chlorinated water with superior ease of operation. Available in IPS sizes 1-1/2" through 12".

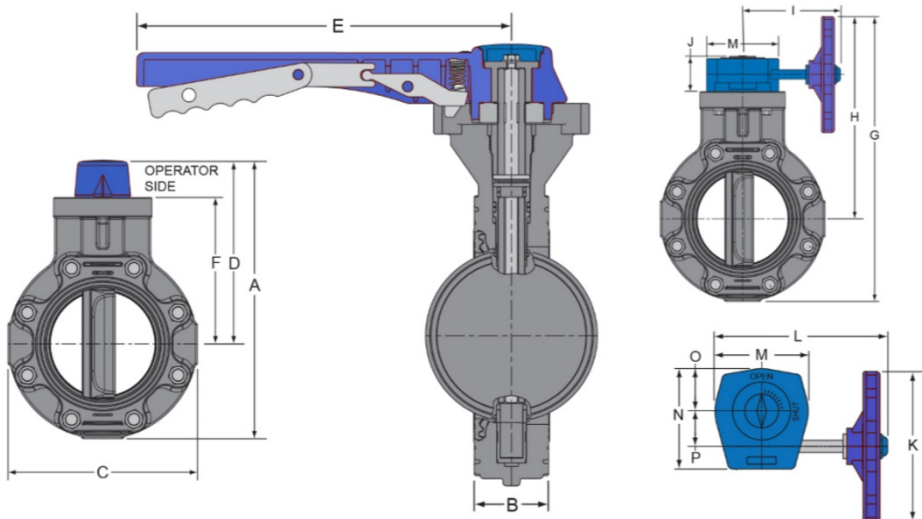
## FEATURES

Features - PVC White Distinct White Body with Blue Handle readily identifies this high-quality PVC Butterfly Valve specifically designed for chlorinated water applications such as swimming pools. Fully isolated, nonwetted stainless steel stem with limited-contact EPDM seat provides maximum resistance to chlorinated water with superior ease of operation. Available in IPS sizes 1-1/2" through 12".

- White PVC Valve with Blue PP Handle provides easy application identification for chlorinated water
- Type 316L non-wetted stainless steel stem is fully isolated from system fluid, but still compatible with chlorinated water
- Patented limited-contact seat is field replaceable
- High-grade EPDM seat & seals
- Blue polypropylene lever handle with built-in lockout (10" & 12" valves are gear operated only)
- Optional gear operated valve with powder coated cast aluminum housing and Blue polypropylene handwheel
- ANSI/ASME B16.5 Class 150 bolt pattern flange connection
- All sizes pressure rated to 150 psi @ 73°F
- Optional SS 316 field-installable Lug Inserts sets
- Pneumatic or electric actuation available



CAUTION: THE POOL BUTTERFLY VALVE IS NEITHER INTENDED NOR WARRANTED FOR INDUSTRIAL OR CHEMICAL PROCESSING APPLICATIONS



LEVER OPERATOR  
STANDARD ON 1-1/2" TO 8"

LEVER OPERATOR  
STANDARD ON 10" TO 12"

DIMENSIONS (in)

SIZE	A	B	Cv	WT (lb)	C	D	E	F	G	H	I	J	K	L	M	N	O	P
1-1/2	8-5/32	1-9/16	81	2.12	5	5-19/32	9-3/32	4-3/32	11-5/32	8-21/32	6-7/16	2-3/8	8	8-13/16	4-13/16	5-3/16	2-13/16	1-27/32
2	9-11/32	1-15/16	109	3.18	6	6-13/32	9	4-3/4	13-1/8	10-1/8	6-7/16	2-3/8	8	8-13/16	4-13/16	5-3/16	2-13/16	1-27/32
2-1/2	10-9/32	2	192	4.18	7	6-25/32	9-1/4	5-1/4	13-1/8	9-5/8	6-7/16	2-3/8	8	8-13/16	4-13/16	5-3/16	2-13/16	1-27/32
3	11-1/2	2-3/32	345	6.14	7-1/2	7-27/32	12	5-5/8	14-5/32	10-17/32	6-7/16	2-3/8	8	8-13/16	4-13/16	5-3/16	2-13/16	1-27/32
4	13	2-9/32	411	7.74	9	8-1/2	12	6-1/4	15-5/8	11-1/8	6-7/16	2-3/8	8	8-13/16	4-13/16	5-3/16	2-13/16	1-27/32
6	16-19/32	2-3/4	1125	13.03	10-31/32	11-3/32	13-7/8	8-19/32	19-7/32	13-23/32	6-7/16	2-13/32	7-15/16	8-7/8	4-27/32	5-5/32	2-7/32	1-27/32
8	18-5/8	2-15/16	2249	18.7	13-1/2	12	13-15/16	9-1/2	21-7/16	14-11/16	6-7/16	2-13/32	7-15/16	8-7/8	4-27/32	5-5/32	2-7/32	1-27/32
10	NA	3-1/4	6309	32.24	16	NA	NA	11	26-5/8	18-5/8	7-1/8	2-3/8	8	9-13/16	5-3/8	5-15/16	2-7/16	2-11/32
12	NA	3-1/2	7048	45.81	19	NA	NA	12	29-1/8	19-5/8	7-1/8	2-3/8	8	9-13/16	5-3/8	5-15/16	2-7/16	2-11/32

Suitable for oil free air handling to 25 psig. Not for distribution of compressed air or gas.