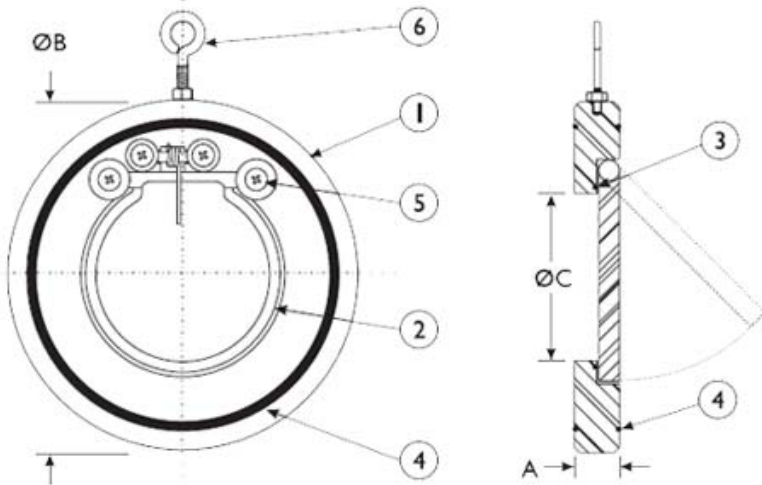




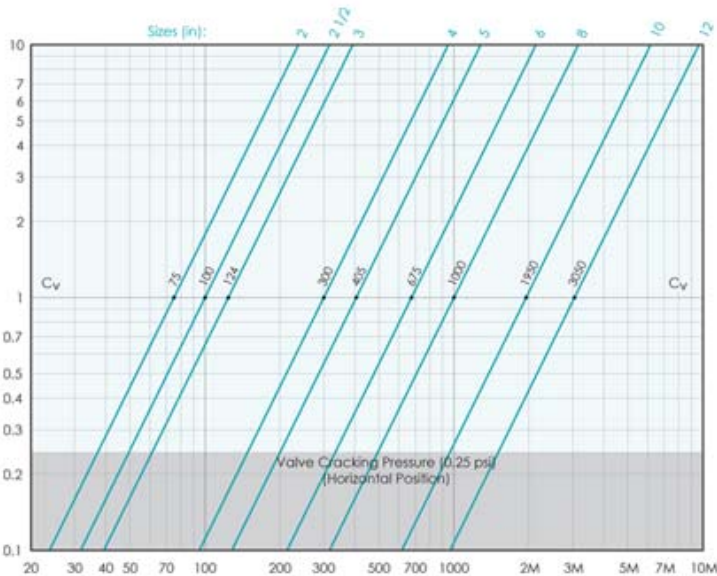
VCSP-CW1SBT Wafer Style Check Valve

Swing Style, Class 150, Carbon Steel Body,
Carbon Zinc Plated Disc, Buna-N Seat



| BILL OF MATERIALS | | |
|-------------------|-----------|-----------------------------|
| NO. | PART | MATERIAL |
| 1 | Body | Carbon Steel A515 Gr. 70 |
| 2 | Disc | Carbon Zinc Plated |
| 3 | Seat | Buna-N |
| 4 | Body Seal | Buna-N |
| 5 | Bolt | Stainless Steel Type 304-55 |
| 6 | Eye Bolt | Chrome Plated |

| DIMENSIONS & PERFORMANCE DATA | | | | | | | | | | | | | | |
|-------------------------------|------|-------|-------|------|-------|-------|-------|-------|-------|--------|-------|--------|--------|-------|
| SIZE | 2 | 2.5 | 3 | 4 | 5 | 6 | 8 | 10 | 12 | 14 | 16 | 18 | 20 | 24 |
| A | 0.75 | .75 | .75 | .75 | .75 | .75 | 1.125 | 1.125 | 1.5 | 1.75 | 2.0 | 2.375 | 2.5 | 2.5 |
| B | 4.13 | 4.90 | 5.40 | 6.90 | 7.76 | 8.74 | 11.00 | 13.39 | 16.14 | 17.76 | 20.28 | 21.70 | 23.90 | 28.25 |
| C | 1.25 | 1.625 | 2.125 | 3.0 | 3.375 | 4.375 | 6.125 | 8.0 | 9.5 | 10.625 | 12.25 | 14.125 | 16.125 | 19.25 |
| WT | 2.5 | 3.5 | 6.0 | 7.0 | 8.5 | 10.0 | 22.0 | 33.5 | 58.0 | 93.5 | 146.5 | 195.0 | 232.0 | 352.0 |
| Cx | 62 | 100 | 166 | 318 | 470 | 610 | 1250 | 2300 | 4150 | 4980 | 8225 | 11906 | 20000 | 27700 |



| PRESS/TEMP RATINGS | |
|--------------------|------------------|
| WOG | 275PSI @ 100°F |
| Buna-N | -20 to 250°F MAX |

