



PVC & CPVC WAFER BUTTERFLY VALVE

The Stayflow Butterfly Valve Wafer design in PVC or CPVC provide exceptional chemical and corrosion resistance and improves on traditional liner-seat type valve to eliminate seat creep, reduce operating torque and provide positive seal-off. Ideally suited for flow control or throttling, this high-performance valve is offered with a full variety of options for greater application versatility in industrial and chemical processing applications. Available in IPS sizes 2" – 12" in Standard Designs.

FEATURES

- Chemical & Corrosion Resistant PVC or CPVC Construction
- Special Designed Laying Lengths for Direct Replacement of Common Cast Iron Butterfly Valves
- Built-in Santoprene™ Thermoplastic Elastomer (TPE) Gaskets on Valve Flange Faces
- Easy Operating Disc Mounted Seat in Choice of Buna-N, EPDM, or FKM
- Fully Isolated (Dry) Solid Type 316L Stainless Steel Stem
- Reversible High Impact Polypropylene Lever Handle with 7-Position Stops and Built-in Lockout Capability
- Optional High Efficiency Gear Operator with Cast Aluminum Housing, Polypropylene Handwheel and Built-in Position Indicator
- Compatible with ANSI/ASME B16.5 Class 150 Bolt Pattern Flanges
- Pressure Rated to 150 psi for water @ 73°F (23°C)
- A multi-featured design incorporating laying lengths that allow direct replacement of common Cast Iron valves such as Keystone Model 228 and Bray Series 30 Butterfly Valves.



INSTALLATION DATA

VALVE SIZE	BOLT CIRCLE DIA ²			No. OF POSITION BOLTS ³	BOLT HOLE DIA (in)	DISC CLEARANCE DIA
	ANSI	PN16 (mm)	PN10 ISO DIN (mm)			
2	4-3/4	125	125	4	13/16	1-1/2
2-1/2	5-1/2	145	145	4	13/16	1-15/16
3	6	NA	NA	4	7/8	2-3/4
4	7-1/4	180	180	4(8)	15/16	3-7/16
6	9-1/2	240	240	4(8)	7/8	5-7/16
8	11-3/4	NA	295	4(8)	15/16	7-3/16
10 ¹	14-1/4	355	350	4(8)	1-1/8	9-3/16
12 ¹	17	410	400	4(8)	1-1/2	11-1/8

1: 10" and 12" valves are only available with gear operator.

2: Holes are oversized to accommodate different bolt patterns — ASME/ANSI B16.1 — Cast Iron Pipe Flanges and Flanged Fittings - Class 150 Bolt Patterns; PN10 & PN16 = B54504 — Circular Flanges for Pipes, Valves and Fittings (PN - Designated); DIN = DIN8063 Part 4 — Pipe Joint Assemblies and Fittings for Unplasticized Polyvinyl Chloride (PVC-U) Pressure Pipe.

3: Valve is positioned with 4 of 8 required Flange Bolts in sizes 4 to 8 inches and 4 of 12 in sizes 10 and 12 inches.

WEIGHTS (lbs) & PERFORMANCE

VALVE SIZE	Cv - Degrees Open						LEVER HANDLE Wt (lb)	GEAR HANDLE Wt (lb)	OPERATING TORQUE (in-lbs)
	15°	30°	45°	60°	75°	90°			
1-1/2	2	8	2	36	61	81	2.59	6.27	6.27
2	3	11	27	49	82	109	3.34	7.89	7.89
2-1/2	5	19	48	86	144	192	4.11	8.66	8.66
3	9	35	86	155	259	345	6.29	9.48	9.48
4	10	41	103	185	308	411	7.91	11.08	11.08
6	28	113	281	506	844	1125	13.31	16.93	16.93
8	56	225	562	1012	1687	2249	19.67	23.28	23.28
10	111	444	1110	1998	3330	4440	NA	33.45	33.45
12	158	631	1577	2839	4732	6309	NA	46.97	46.97



PVC & CPVC WAFER BUTTERFLY VALVE

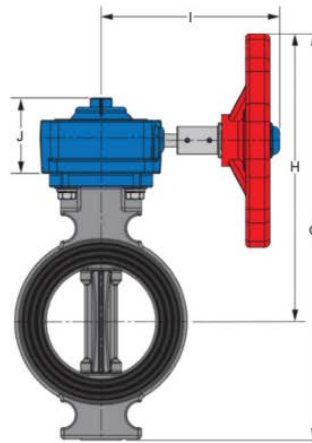
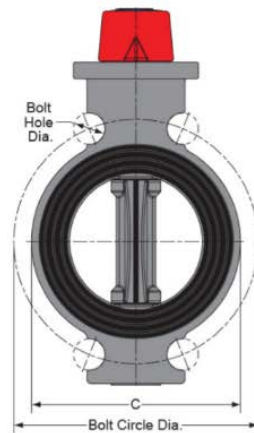
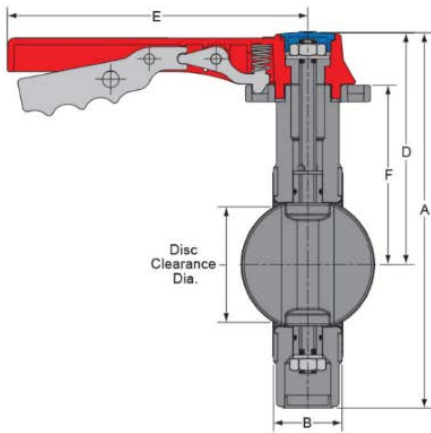
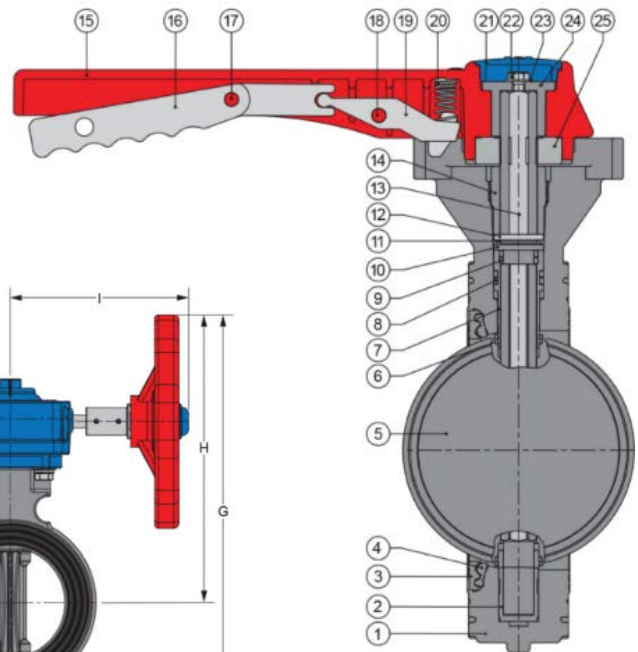
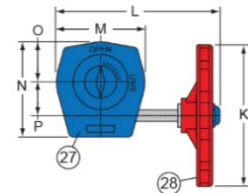
PRESSURE (PSIG) @ TEMPERATURE

SIZE	MATERIAL	73 (F°)	100 (F°)	140 (F°)	180 (F°)	200 (F°)
1-1/2 - 12	PVC	150	150	50	0	0
	CPVC	150	150	110	70	50

ELECTRIC & PNEUMATIC ACTUATORS ARE AVAILABLE. CALL FACTORY FOR DETAILS.

BILL OF MATERIALS

ITEM	DESCRIPTION	MATERIAL	ITEM	DESCRIPTION	MATERIAL	ITEM	DESCRIPTION	MATERIAL
1	Body	PVC/CPVC	11	Stem Washer Slot	316 Stainless	21	Handle Cover	PP
2	Stem Bearing	PTFE/GFPP	12	Stem Washer Round	PTFE/GFPP	22	Hex Bolt	316 Stainless
3	Seal Carrier	PVC/CPVC /PP	13	Stem	316 Stainless	23	Flat Washer	316 Stainless
4	Seat	BUNA-N/EPDM /FKM	14	Stem Nut	PVC/CPVC	24	Handle Bushing	GFPVC
5	Disc	PVC/CPVC /PP	15	Handle Body	PP	25	Disc Timing Stop	CPVC
6	Disc O-ring B	BUNA-N/EPDM /FKM	16	Handle Grip	GFPVC	27	Gear Op. Assembly	CAST ALUMINUM
7	Stem Bushing	PTFE/GFPP	17	Grip Pin	PP	28	Handle Wheel	PP
8	Stem Bushing O-Ring	BUNA-N/EPDM /FKM	18	Lock Pin	PP			
9	Stem O-Ring	BUNA-N/EPDM /FKM	19	Handle Lock	GFPVC			
10	Stem Washer Hex	PTFE/GFPP	20	Handle Spring	316 Stainless			



DIMENSIONS (in)

SIZE	A	B	C	D	E	F	G	H	I	J	K	L	M	N	O	P
2	8-5/8	1-11/16	3-3/4	5-9/16	9	4	12-1/4	9-1/8	6-1/2	2-3/4	8	8-3/4	4-1/2	4-3/4	2-1/4	1-1/2
2-1/2	9-5/8	1-13/16	4-1/2	6-1/16	9	4-1/2	13-1/8	9-1/2	6-1/2	2-3/4	8	8-3/4	4-1/2	4-3/4	2-1/4	1-1/2
3	10-1/8	1-13/16	5	6-7/16	9	4-7/8	13-5/8	10	6-1/2	2-3/4	8	8-3/4	4-1/2	4-3/4	2-1/4	1-1/2
4	11-13/16	2-1/16	6-1/4	6-15/16	9	5-3/8	14-3/4	10-1/2	6-1/2	2-3/4	8	8-3/4	4-1/2	4-3/4	2-1/4	1-1/2
6	14-7/8	2-3/16	8-9/16	9-3/8	11-7/8	7-1/8	17-3/4	12-1/4	6-1/2	2-3/4	8	8-3/4	4-1/2	4-3/4	2-1/4	1-1/2
8	17-7/16	2-9/16	10-3/4	10-5/8	13-13/16	8-7/16	20-3/8	13-1/2	6-1/2	2-3/4	8	8-3/4	4-1/2	4-3/4	2-1/4	1-1/2
10	NA	2-9/16	12-7/8	NA	NA	10-11/16	24	15-7/8	3	3	8	9-1/4	5-1/8	5-7/8	2-1/2	2-1/8
12	NA	3-1/16	15-9/16	NA	NA	11-11/16	26-3/8	16-7/8	3	3	8	9-1/4	5-1/8	5-7/8	2-1/2	2-1/8

Suitable for oil free air handling to 25 psig. Not for distribution of compressed air or gas.