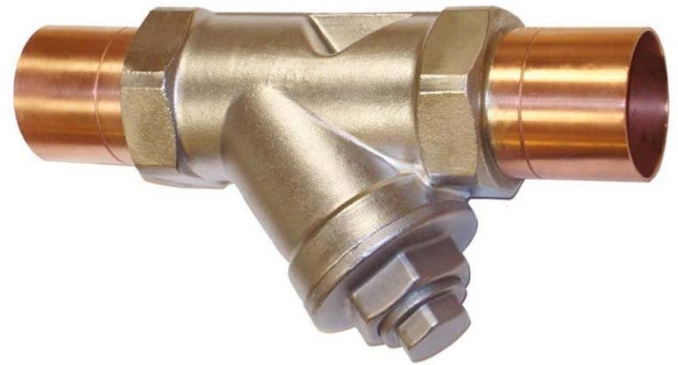
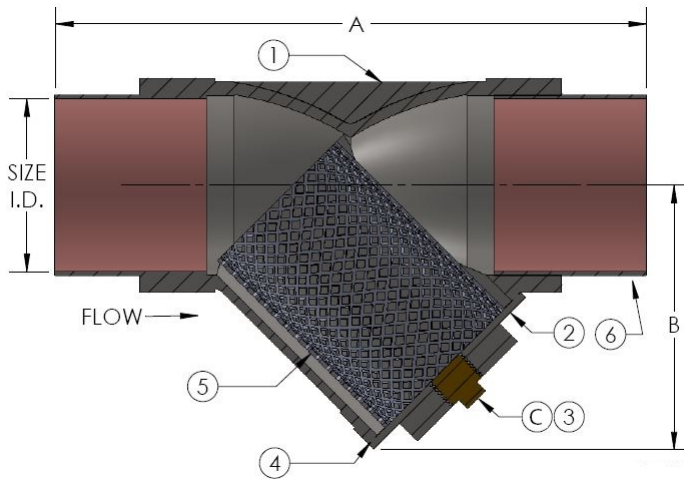


STAYFLOW STRAINERS

YSD Wye Strainer—304 Stainless Steel with Female Copper Sweat Ends



BILL OF MATERIALS

ITEM	DESCRIPTION	MATERIAL
1	Body	304 Stainless Steel
2	Cap	304 Stainless Steel
3	Blow Off Plug	304 Stainless Steel
4	Gasket	PTFE
5	Screen	304 Stainless Steel
6	Female Sweat End	Copper

LEAD FREE – NSF 372

The wetted surfaces of the YSD contains less than 0.25% lead by weight which complies with state codes and standards (where applicable) that require piping with a reduced lead content.

PRESSURE RATING (psig) ANSI CLASS 150

W.O.G. NON-SHOCK	MAX LIQ.	STEAM	SEAL - MAX (F)	BODY - MAX (F)
200 @ 150 F	200 @ 150 F	N R	250 F	450 F

DEFAULT SCREEN SIZE (in)

Size	Liquid	Open Area	Steam	Open Area
1/2 - 2	20 MESH	49%	N R	

DIMENSIONS (in) / PERFORMANCE

SIZE	A	B	C	Wt. (lb)
1/2	3-1/4	1-1/2	1/4	0.6
3/4	5	1-7/8	3/8	0.8
1	5-7/8	2-1/8	3/8	1.2
1-1/4	6-3/4	2-1/2	3/8	1.9
1-1/2	7-7/8	3	1/2	2.7
2	9-1/8	3-3/8	1/2	4.3