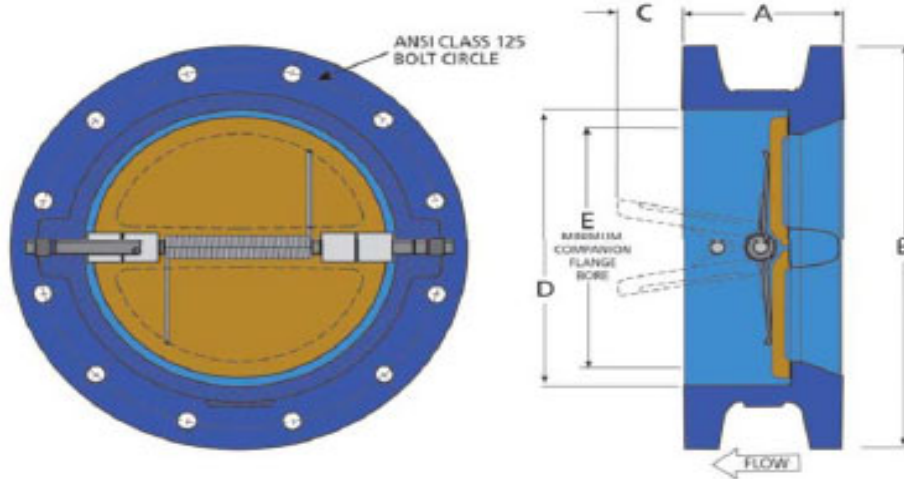


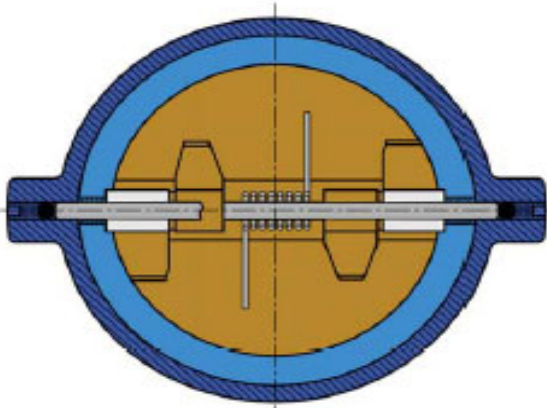
DD PLUS DOUBLE DISC CHECK VALVE - LUG STYLE



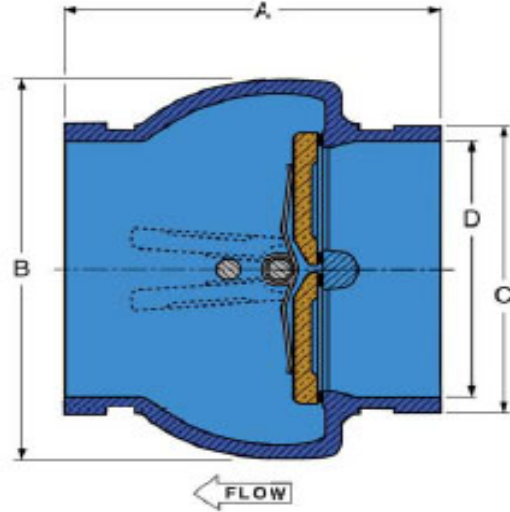
Valve Size	A	B	C	D	E	Lug Style Wt
(in)	(in)	(in)	(in)	(in)	(in)	(lbs)
14	7.25	21.00	3.25	14.38	12.50	187
16	7.50	23.50	4.50	16.38	15.00	270
18	8.00	25.00	5.38	18.38	17.00	330
20	8.38	27.50	6.38	20.25	19.00	424
24	8.75	32.00	8.50	24.25	23.00	589
30	8.75	38.75	9.50	30.00	28.50	1112
36	8.75	46.00	12.00	36.00	34.50	1864
42	8.75	53.00	13.75	42.00	40.50	2889
48	8.75	59.50	17.00	48.00	46.50	5525
54	8.75	66.25	18.25	54.00	49.50	7000
60	8.75	73.00	18.25	60.00	53.50	8500

CUSTOMER _____	 Stayflow Check Valves
PROJECT _____	
ENGINEER _____	
CONTRACTOR _____	
CERTIFICATION _____	
MODEL:	DD PLUS DBL DISC CHK, LUG STYLE
DRAWN BY:	PDB 3/22/20

DD PLUS DOUBLE DISC CHECK VALVE - GROOVED END STYLE



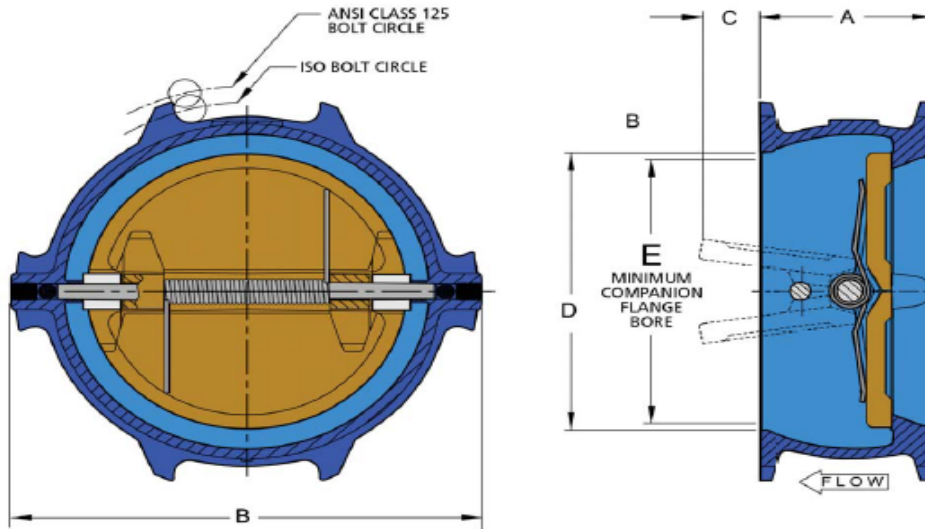
Cut grooves per ANSI/AWWA
C606



Valve Size (in)	A (in)	B (in)	C (in)	D (in)	E (in)	Grooved Wt (lbs)
2	4.66	4.12	2.38	2.00	-	4
2 1/2	4.90	4.88	2.88	2.41	-	5
3	5.31	5.38	3.50	2.94	-	8
4	5.38	6.00	4.50	3.91	-	9
5	5.72	7.06	5.56	4.89	-	13
6	6.00	8.12	6.62	5.92	-	18
8	6.72	10.03	8.62	7.91	-	30
10	7.78	12.38	10.75	10.00	-	56
12	8.18	14.38	12.75	11.94	-	87

CUSTOMER _____ PROJECT _____ ENGINEER _____ CONTRACTOR _____ CERTIFICATION _____	 Stayflow Check Valves				
	<table border="1" style="width: 100%;"> <tr> <td style="width: 30%;">MODEL:</td> <td>DD PLUS DBL DISC CHK, GROOVED</td> </tr> <tr> <td>DRAWN BY:</td> <td>PDB 3/22/20</td> </tr> </table>	MODEL:	DD PLUS DBL DISC CHK, GROOVED	DRAWN BY:	PDB 3/22/20
MODEL:	DD PLUS DBL DISC CHK, GROOVED				
DRAWN BY:	PDB 3/22/20				

DD PLUS DOUBLE DISC CHECK VALVE - WAFER STYLE



Valve Size	A	B	C	D	E	Wafer Wt
(in)	(in)	(in)	(in)	(in)	(in)	(lbs)
2	2.13	5.13	-	2.88	-	4
2 1/2	2.38	6.00	0.13	3.50	1.31	5
3	2.63	5.63	0.18	3.88	1.69	7
4	2.63	7.75	0.63	4.75	3.06	9
5	3.25	7.56	0.81	5.50	3.63	13
6	3.75	8.63	0.81	6.25	4.25	19
8	5.00	12.25	1.00	8.00	5.50	41
10	5.50	14.75	2.06	10.25	8.50	65
12	7.12	17.38	1.94	12.00	9.25	94
14	7.25	17.75	3.25	14.38	12.50	187
16	7.50	20.25	4.50	16.38	15.00	270
18	8.00	21.63	5.38	18.38	17.00	330
20	8.38	23.88	6.38	20.25	19.00	424
24	8.75	28.25	8.50	24.25	23.00	589
30	12.00	34.75	9.50	30.00	28.50	1112
36	14.50	41.25	12.00	36.00	34.50	1864
42	17.00	48.00	13.75	42.00	40.50	2889
48	20.62	54.50	17.00	48.00	46.50	5525
54	21.25	60.50	18.25	54.00	49.25	7000
60	26.00	67.00	18.25	60.00	53.50	8500

CUSTOMER _____ PROJECT _____ ENGINEER _____ CONTRACTOR _____ CERTIFICATION _____	 Stayflow Check Valves
	MODEL: DD PLUS DBL DISC CHK, WAFER
	DRAWN BY: PDB 3/22/20