



3PC FULL BORE BALL VALVE

Stayflow's Economical **Tri-Star Series**

Models :

510SS NPT - 316SS

520SS SW - 316SS

410CS NPT - WCB

420CS SW - WCB

PRESSURE RATING

1500 CWP

150 SWP

Size: 1/4" Thru 2"



DESIGN FEATURES

- ISO-5211 Type Pad
- Safety Locking Handle
- Reinforced PTFE
- Metal Name Plate Identifys all soft parts
- Cap Screws are used to insure precise alignment of valve center body & end cap
- Swing-out body design for ease of maintenance
- Full Port Design improves flow resulting in increased process efficiencies
- Blow-out proof stem
- Foundry Traceability
- Adjustable stem packing
- Triple Stem Seal V-Ring, O-Ring, Thrust Washer
- CE Certified

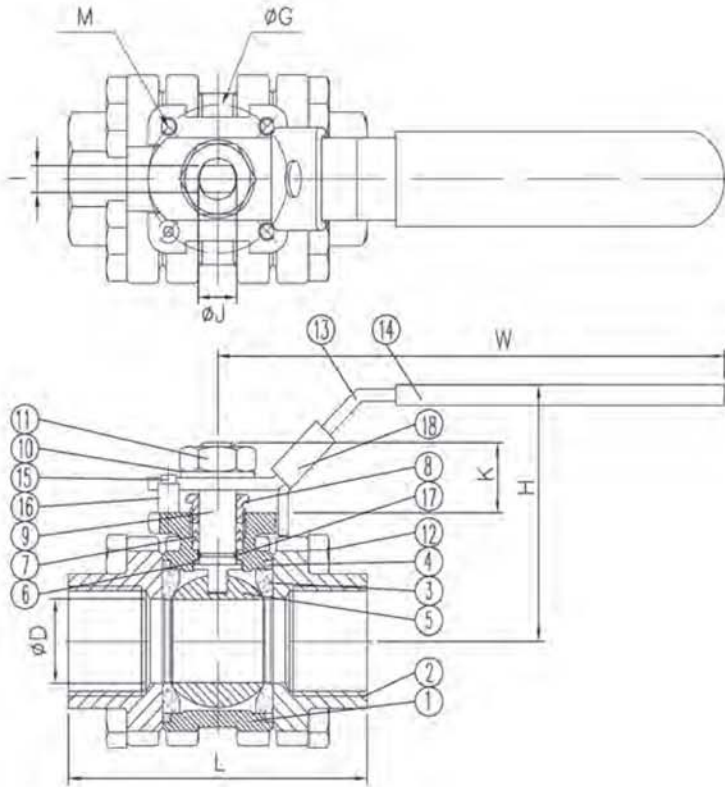
Ideally designed for chemical, textile, process and contractor markets where quality and price is a major consideration



DESIGN & TECHNICAL DATA

3PC Tri-Star Series

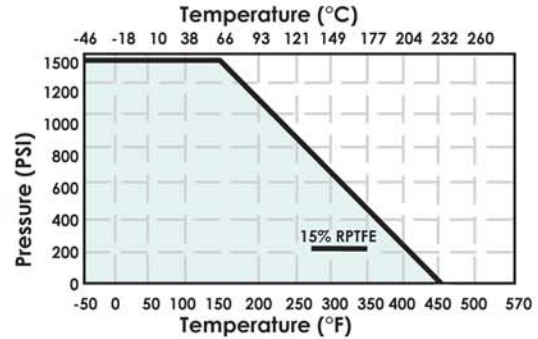
1500 WOG / Full Port



Models Numbers :

510SS	NPT	-	316SS
520SS	SW	-	316SS
410CS	NPT	-	WCB
420CS	SW	-	WCB

PRESSURE & TEMPERATURE DATA



MATERIALS LIST:

NO.	PART NAME	510SS MODEL	410CS MODEL
1	BODY	ASTM A351-CF8M	ASTM A216-WCB
2	END CAP	ASTM A351-CF8M	ASTM A216-WCB
3	SEAT *	RPTFE	RPTFE
4	GASKET *	RPTFE	RPTFE
5	BALL	ASTM A351-CF8M/316	ASTM A351-CF8/304
6	THRUST WASHER*	RPTFE	RPTFE
7	STEM PACKING *	RPTFE	RPTFE
8	GLAND	AISI 304	AISI 304
9	STEM	ASTM A276-316	ASTM A276-304
10	HANDLE WASHER	AISI 304	AISI 304
11	HANDLE NUT	AISI 304	AISI 304
12	CAP SCREW	AISI 304	CARBON STEEL
13	HANDLE	AISI 304	ZINC PLATED STEEL
14	HANDLE COVER	PVC	PVC
15	STOP SCREW	AISI 304	CARBON STEEL
16	NUT	AISI 304	CARBON STEEL
17	O-RING	VITON	VITON
18	LOCKING DEVICE	304SS	304SS

* Parts included in repair kits

DIMENSIONS:

SIZE		ØD		ØG		H		I		ØJ		K		L		W		M	TORQUE		WEIGHT		ISO PAD
inch	mm	inch	mm	inch	mm	inch	mm	inch	mm	inch	mm	inch	mm	inch	mm	inch	mm		inch	CV	lbs.		
1/4"	8	0.41	10.5	1.42	36	2.17	55	0.20	5	0.31	8	0.35	9	2.56	65	5.31	135	M5	53	7	0.93	F03	
3/8"	10	0.49	12.5	1.42	36	2.17	55	0.20	5	0.31	8	0.35	9	2.56	65	5.31	135	M5	53	10	0.95	F03	
1/2"	15	0.59	15	1.42	36	2.35	59.8	0.20	5	0.31	8	0.45	11.5	2.76	70	5.31	135	M5	69	15	1.32	F03	
3/4"	20	0.79	20	1.42	36	2.46	62.5	0.24	6	0.39	10	0.59	15	3.15	80	5.31	135	M5	88	40	1.96	F03	
1"	25	1.00	25	1.65	42	2.72	69	0.31	8	0.47	12	0.63	16	3.54	90	6.50	165	M5	116	70	2.76	F04	
1 1/4"	32	1.26	32	1.65	42	3.09	78.5	0.31	8	0.47	12	0.63	18	4.13	105	6.50	165	M5	188	120	4.39	F04	
1 1/2"	40	1.50	38	1.97	50	3.59	91.3	0.31	8	0.55	14	0.79	20	4.72	120	6.89	175	M6	390	200	6.15	F05	
2"	50	1.97	50	1.97	50	3.96	100.5	0.31	8	0.55	14	0.79	20	5.28	134	8.66	220	M6	480	370	9.37	F05	

SPECIFICATION STANDARDS:

- All valves shell and seat tested to ANSI/ASME B16.34 & API 598
- Federal specification WWV-35, Type II
- End Connections
Threaded ASME B1.20.1 FNPT
Socket Weld ASME B16.11
- All materials comply with applicable ASTM material specifications
- Safety lock handle, meets requirements of OSHA 1910-147
- 1500 PSIG WOG, Cold non-shock
150 PSIG Saturated steam

