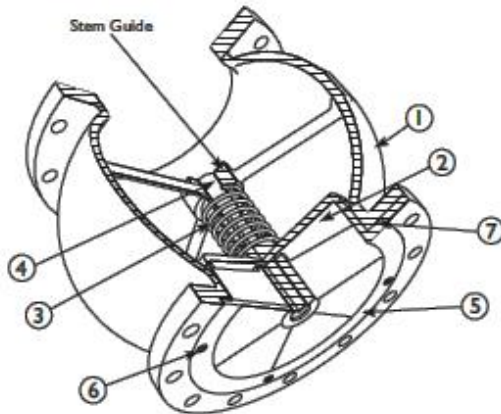


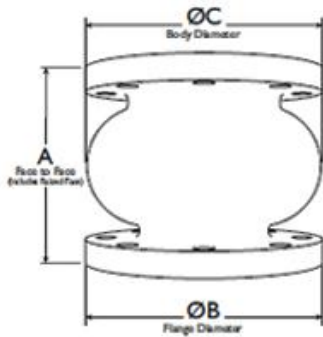


VCSIL-DG1BXT Silent Check Valve

Globe Style, Class 150, Ductile Iron Body,
Aluminum Bronze Disc, Aluminum Bronze Seat

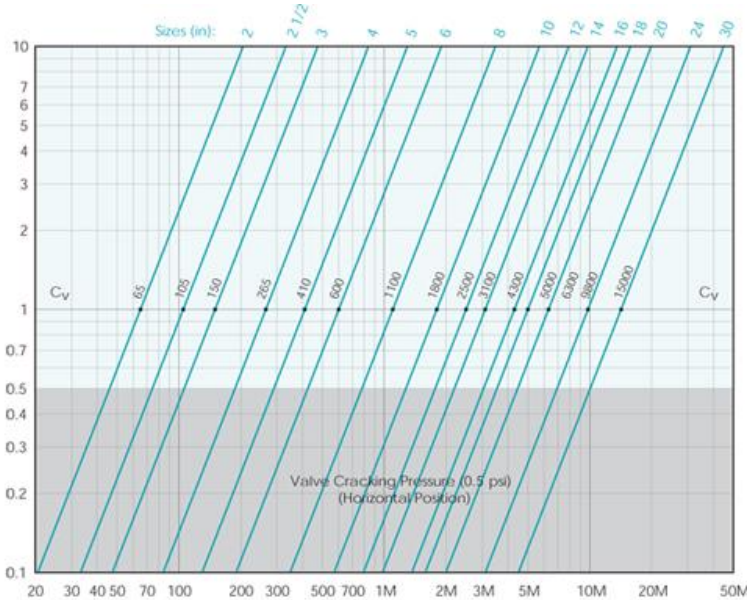


DESIGN WITH INTEGRAL
**STRAIGHTENING
VANES**

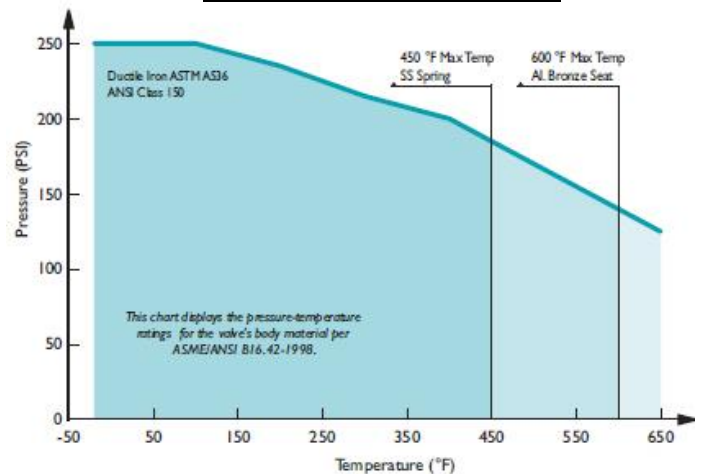


BILL OF MATERIALS		
NO.	PART	MATERIAL
1	Body	Ductile Iron ASTM A536
2	Disc	Aluminum Bronze ASTM B148
3	Spring	Series 300 Stainless Steel
4	Bushing	Aluminum Bronze
5	Seat	Aluminum Bronze ASTM B148
6	Cap Screw	Stainless Steel
7	Gasket	Non-asbestos Gasket

DIMENSIONS & PERFORMANCE DATA														
SIZE	2	2.5	3	4	5	6	8	10	12	14	16	18	20	24
A (in)	6.25	7.00	7.50	8.50	9.50	10.50	13.50	16.25	20.25	22.75	24.75	22.50	24.00	24.00
B (in)	6.00	7.00	7.50	9.00	10.00	11.00	13.50	16.00	19.00	21.00	23.50	25.00	27.50	32.00
C (in)	4.625	5.75	6.625	8.625	10.00	11.125	15.84	17.687	21.25	23.95	25.875	29.0	32.75	36.96
WT (lb)	14.0	24.0	27.5	44.0	C/F	83.0	145.0	220.0	344.0	453.5	593.0	695.5	963.0	C/F
Cx	65	105	150	265	410	600	1100	1800	2500	3100	4300	5000	6300	9800



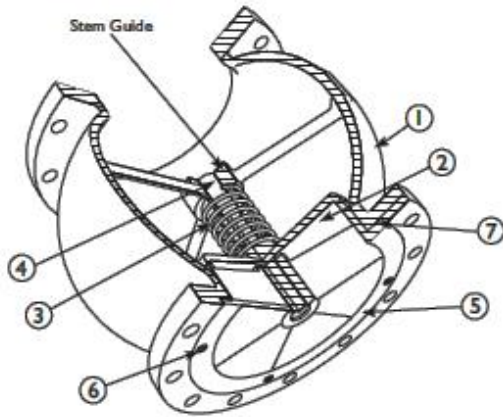
PRESS/TEMP RATINGS	
WOG	250PSI @ 100°F
Aluminum Bronze	-460 to 600°F MAX
Spring	450°F



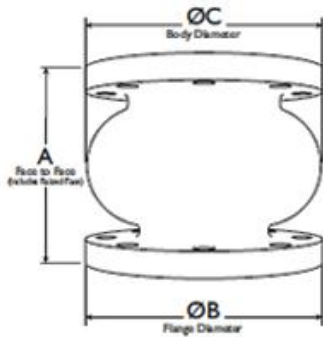


VCSIL-DG1SXT Silent Check Valve

Globe Style, Class 150, Ductile Iron Body, SS Disc, SS Seat

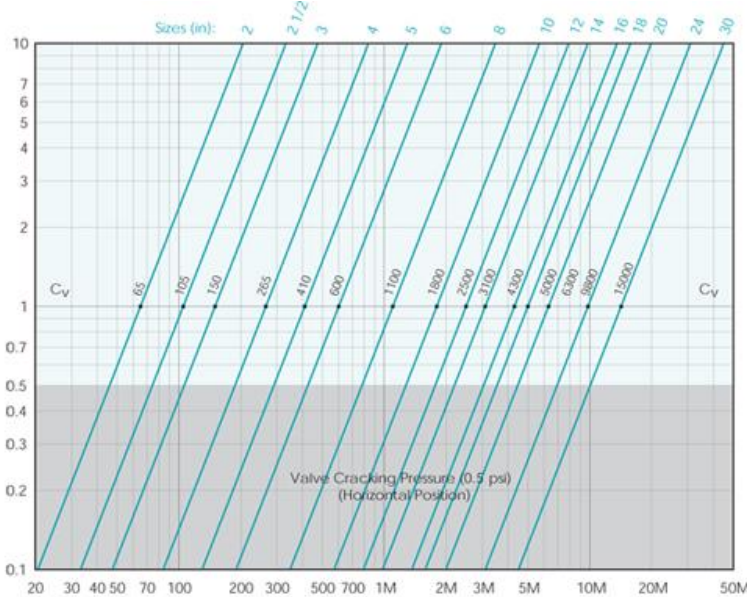


DESIGN WITH INTEGRAL
**STRAIGHTENING
VANES**

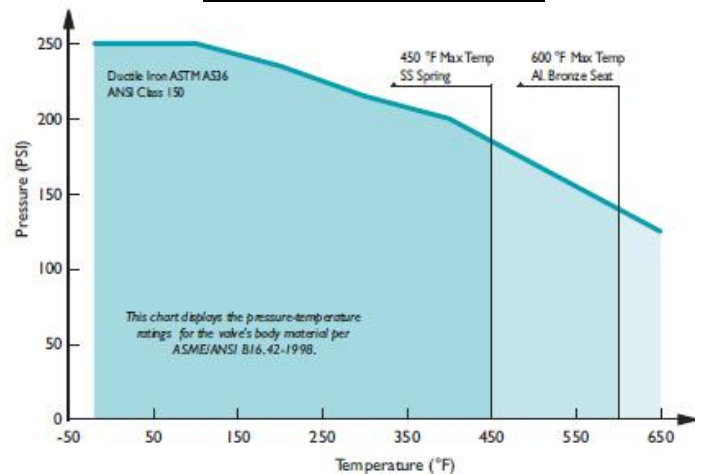


BILL OF MATERIALS		
NO.	PART	MATERIAL
1	Body	Ductile Iron ASTM A536
2	Disc	Stainless Steel Gr. CF8M Type 316 SS
3	Spring	Series 300 Stainless Steel
4	Bushing	Stainless Steel
5	Seat	Stainless Steel Gr. CF8M Type 316 SS
6	Cap Screw	Stainless Steel
7	Gasket	Non-asbestos Gasket

DIMENSIONS & PERFORMANCE DATA														
SIZE	2	2.5	3	4	5	6	8	10	12	14	16	18	20	24
A (in)	6.25	7.00	7.50	8.50	9.50	10.50	13.50	16.25	20.25	22.75	24.75	22.50	24.00	24.00
B (in)	6.00	7.00	7.50	9.00	10.00	11.00	13.50	16.00	19.00	21.00	23.50	25.00	27.50	32.00
C (in)	4.625	5.75	6.625	8.625	10.00	11.125	15.84	17.687	21.25	23.95	25.875	29.0	32.75	36.96
WT (lb)	14.0	24.0	27.5	44.0	C/F	83.0	145.0	220.0	344.0	453.5	593.0	695.5	963.0	C/F
Cx	65	105	150	265	410	600	1100	1800	2500	3100	4300	5000	6300	9800



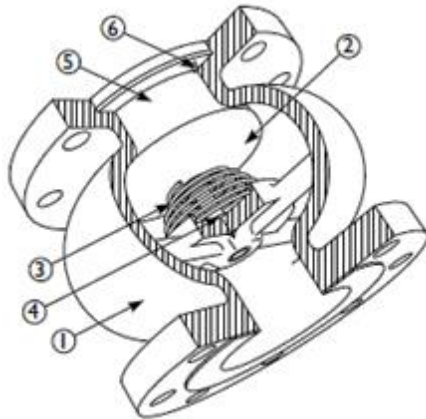
PRESS/TEMP RATINGS	
WOG	250PSI @ 100°F
Stainless Steel	-325 to 1500°F MAX
Spring	450°F



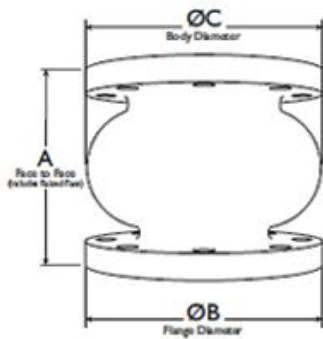


VCSIL-DG2BXT Silent Check Valve

Globe Style, Class 300, Ductile Iron Body,
Aluminum Bronze Disc, Aluminum Bronze Seat

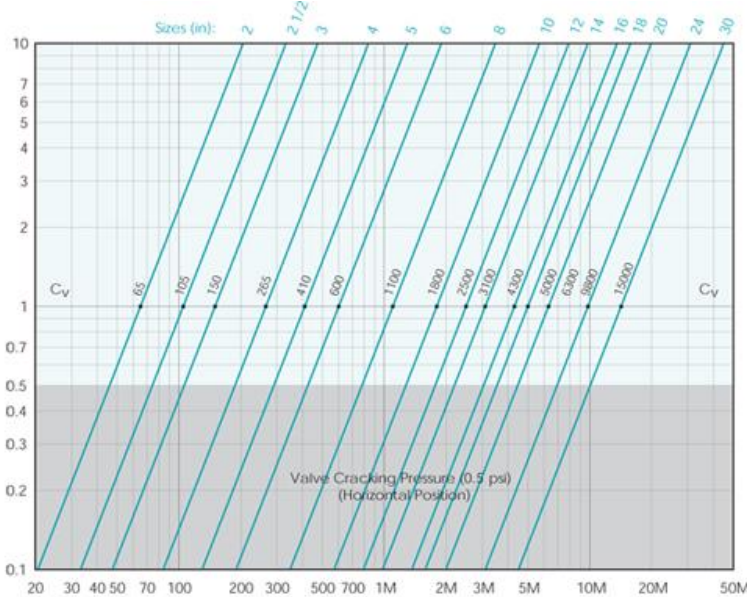


DESIGN WITH INTEGRAL
**STRAIGHTENING
VANES**

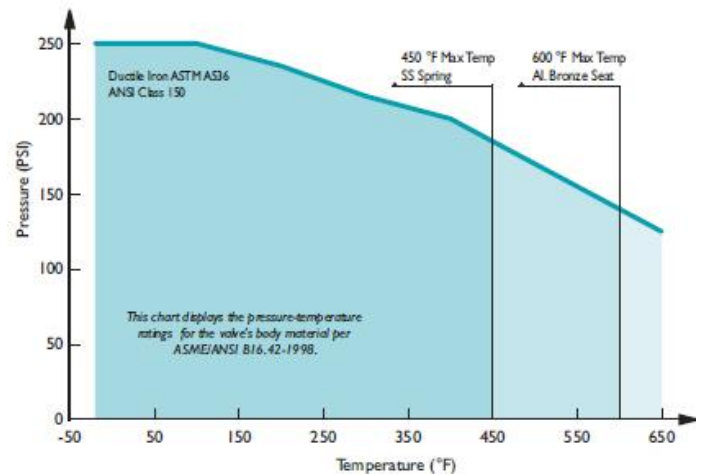


BILL OF MATERIALS		
NO.	PART	MATERIAL
1	Body	Ductile Iron ASTM A536
2	Disc	Aluminum Bronze ASTM B148
3	Spring	Series 300 Stainless Steel
4	Bushing	Bronze
5	Seat	Aluminum Bronze ASTM B148
6	Set Screw	Stainless Steel

DIMENSIONS & PERFORMANCE DATA														
SIZE	2	2.5	3	4	5	6	8	10	12	14	16	18	20	24
A (in)	6.75	7.625	8.25	9.125	10.0	11.375	14.0	17.0	20.875	23.375	25.625	24.125	25.625	26.0
B (in)	6.5	7.5	8.25	10.0	11.0	12.5	15.0	17.5	20.5	23.0	25.5	28.0	30.5	36.0
C (in)	4.875	5.75	6.625	8.875	10.375	11.5	15.0	17.875	22.125	24.25	26.875	30.0	33.25	37.0
WT (lb)	21.0	30.0	39.0	64.0	93.0	125.0	198.0	303.0	432.0	612.0	1000.0	1238	1775.0	2500.0
Cx	65	105	150	265	410	600	1100	1800	2500	3100	4300	5000	6300	9800



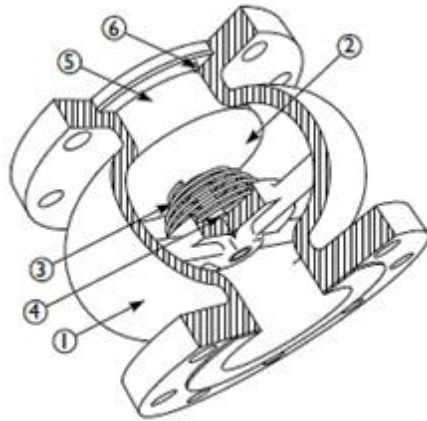
PRESS/TEMP RATINGS	
WOG	640PSI @ 100°F
Aluminum Bronze	-460 to 600°F MAX
Spring	450°F



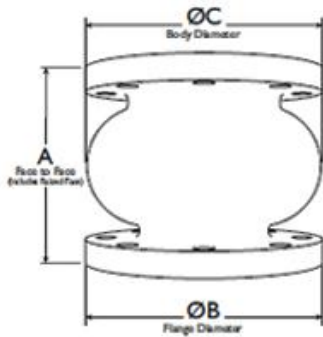
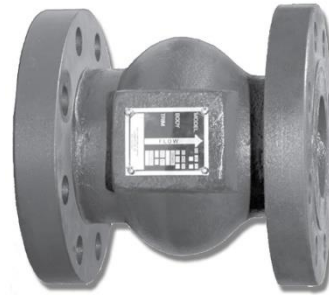


VCSIL-DG2SXT Silent Check Valve

Globe Style, Class 300, Ductile Iron Body, SS Disc, SS Seat

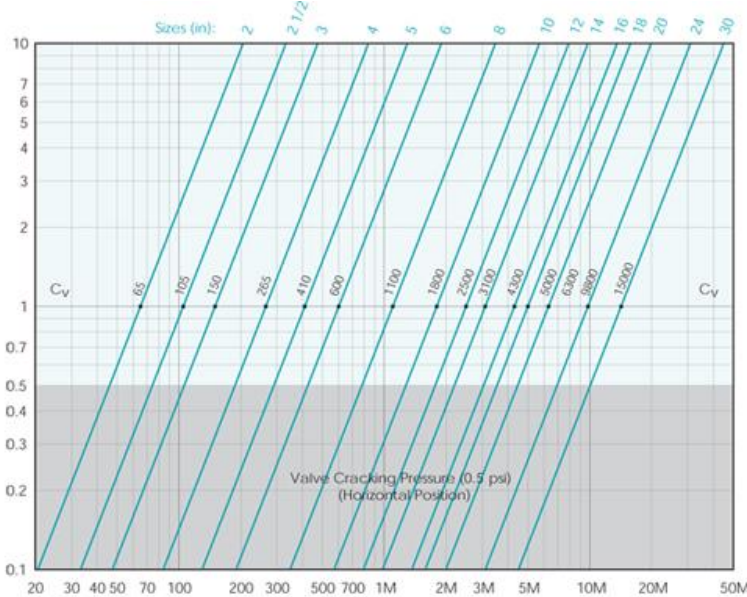


DESIGN WITH INTEGRAL
**STRAIGHTENING
VANES**



BILL OF MATERIALS		
NO.	PART	MATERIAL
1	Body	Ductile Iron ASTM A536
2	Disc	Stainless Steel Gr. CF8M Type 316 SS
3	Spring	Series 300 Stainless Steel
4	Bushing	Stainless Steel
5	Seat	Stainless Steel Gr. CF8M Type 316 SS
6	Set Screw	Stainless Steel

DIMENSIONS & PERFORMANCE DATA														
SIZE	2	2.5	3	4	5	6	8	10	12	14	16	18	20	24
A (in)	6.75	7.625	8.25	9.125	10.0	11.375	14.0	17.0	20.875	23.375	25.625	24.125	25.625	26.0
B (in)	6.5	7.5	8.25	10.0	11.0	12.5	15.0	17.5	20.5	23.0	25.5	28.0	30.5	36.0
C (in)	4.875	5.75	6.625	8.875	10.375	11.5	15.0	17.875	22.125	24.25	26.875	30.0	33.25	37.0
WT (lb)	21.0	30.0	39.0	64.0	93.0	125.0	198.0	303.0	432.0	612.0	1000.0	1238	1775.0	2500.0
Cx	65	105	150	265	410	600	1100	1800	2500	3100	4300	5000	6300	9800



PRESS/TEMP RATINGS	
WOG	640PSI @ 100°F
Stainless Steel	-325 to 1500°F MAX
Spring	450°F

