



VCSIL-SW1SXT Silent Check Valve

Wafer Style, Class 300, A351 Body, A351 Disc, A351 Seat

DESIGN WITH INTEGRAL
**STRAIGHTENING
VANES**

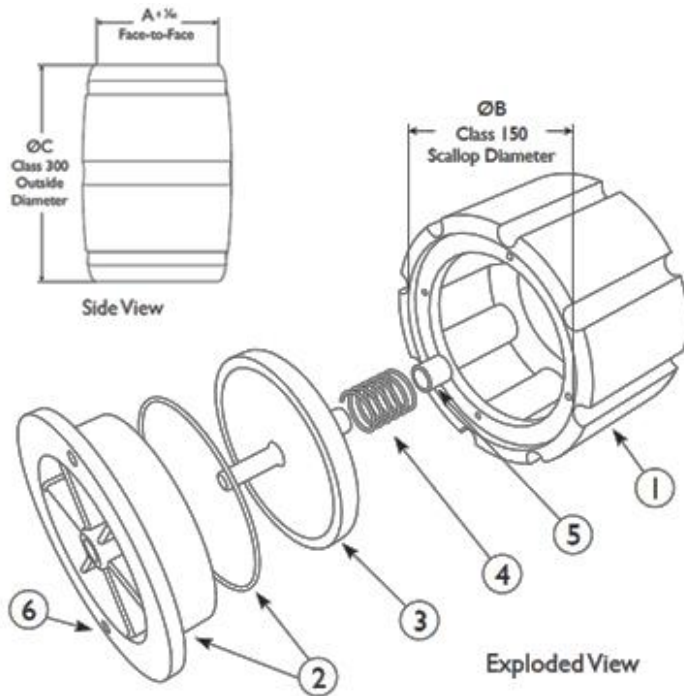
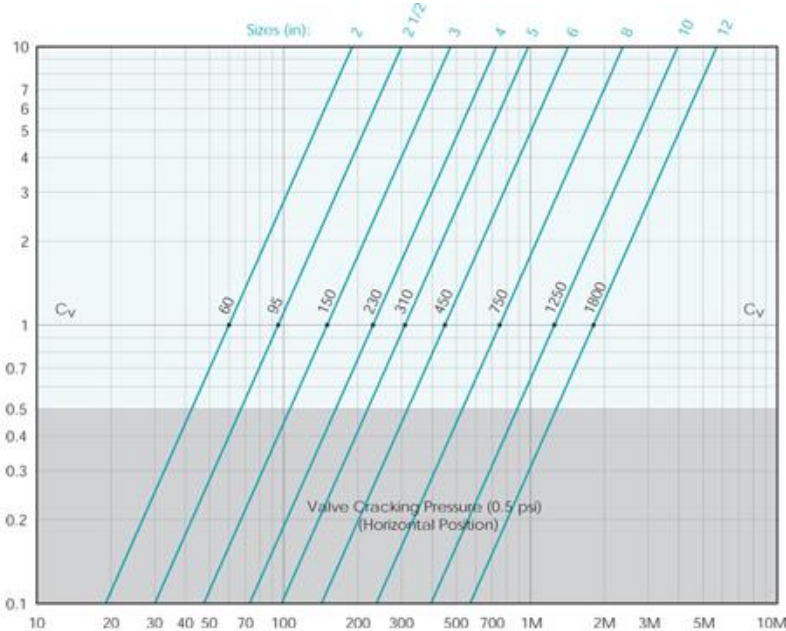


Illustration is representative of sizes 2" - 6".

| BILL OF MATERIALS | | |
|-------------------|---------|------------------------------------|
| NO. | PART | MATERIAL |
| 1 | Body | A351 Gr. CF8M Type 316 |
| 2 | Seat | A351 Gr. CF8M Type 316 |
| 3 | Disc | A351 Gr. CF8M Type 316 |
| 4 | Spring | Series 300 Stainless Steel |
| 5 | Bushing | A351 Gr. CF8M Type 316 |
| 6 | Screws | ASTM A276 Type 304 Stainless Steel |

| DIMENSIONS & PERFORMANCE DATA | | | | | | | | | |
|-------------------------------|-------|-------|-------|------|-------|-------|------|-------|-------|
| SIZE | 2 | 2.5 | 3 | 4 | 5 | 6 | 8 | 10 | 12 |
| A (in) | 2.625 | 2.875 | 3.125 | 4.0 | 4.625 | 5.625 | 6.50 | 8.25 | 11.25 |
| B (in) | 4.125 | 4.75 | 5.25 | 6.75 | 7.625 | 8.625 | n/a | n/a | n/a |
| C (in) | 4.25 | 5.0 | 5.75 | 7.0 | 8.375 | 9.75 | n/a | n/a | n/a |
| WT (lbs) | 4.5 | 6.5 | 8.5 | 18.0 | 25.0 | 54.0 | 70.0 | 140.0 | 324.0 |
| Cv | 60 | 95 | 150 | 230 | 310 | 450 | 750 | 1250 | 1800 |



| PRESS/TEMP RATINGS | |
|--------------------|----------------|
| WOG | 250PSI @ 100°F |
| Stainless Steel | -325 to 1500°F |
| Spring | 450°F |

