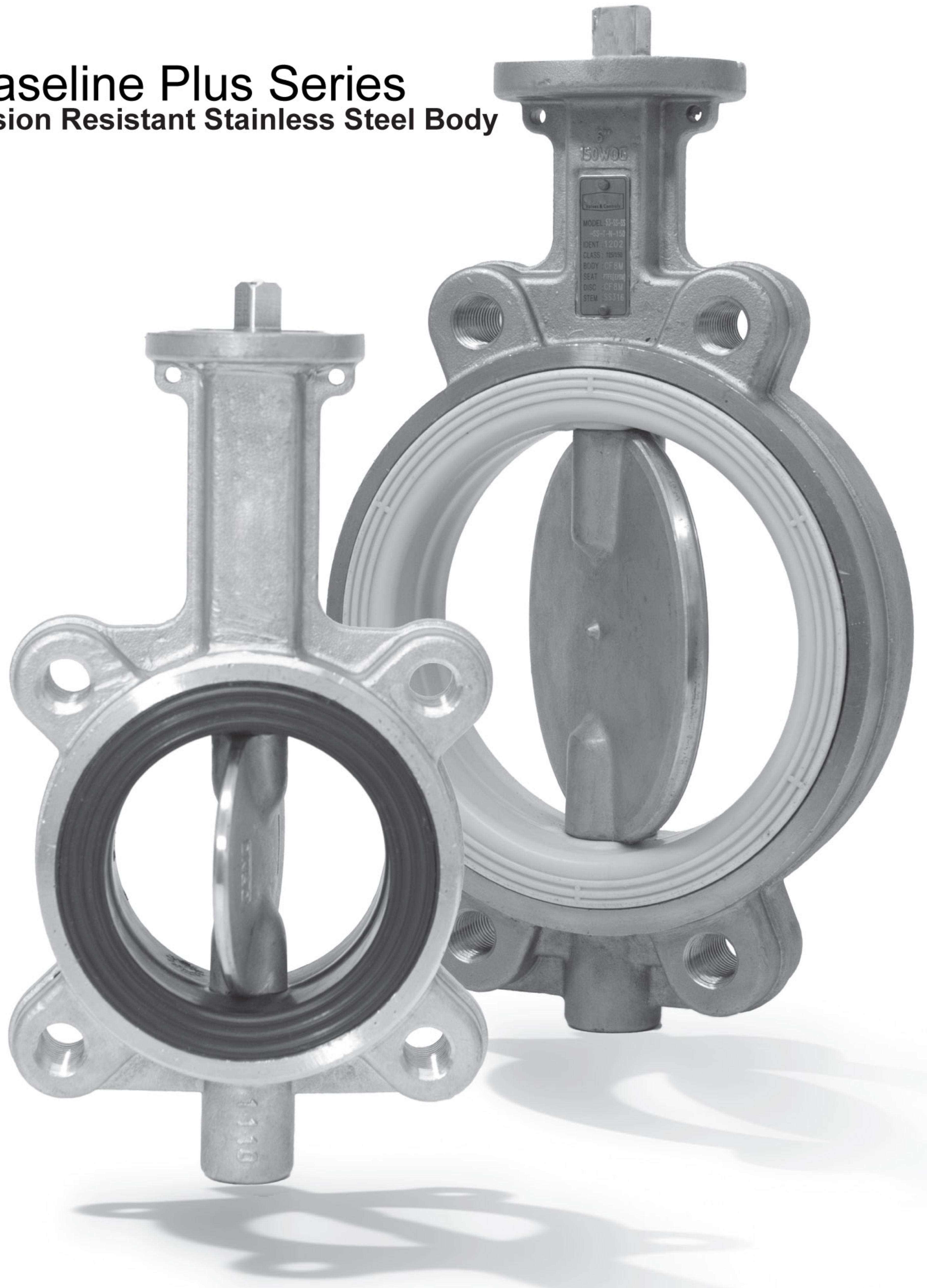


SEMI-LUG BUTTERFLY VALVES

Baseline Plus Series
Corrosion Resistant Stainless Steel Body



Size Range: 2" thru 12"

Pressure Rating

BUNA Seat: 200 WOG

EPDM Seat: 200 WOG

VITON Seat: 200 WOG

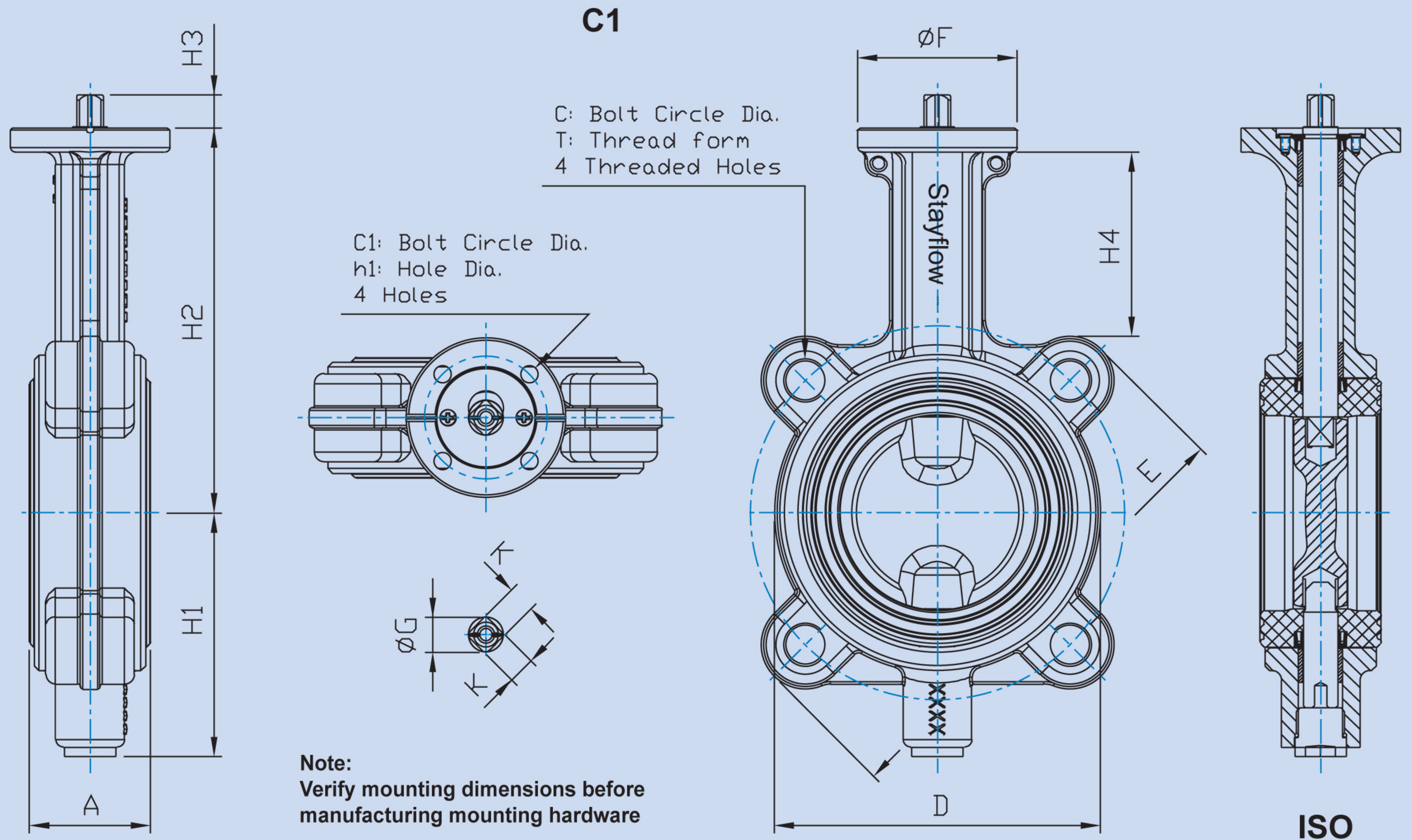
PTFE Seat: 150 WOG

Stayflow Concentric Butterfly Valves are backed by the resources and experience of over thirty-five years of process valve and automation experience.

Design Advantages

- Semi-Lug Body Design Crossover from Wafer to Lug. All Valves Have Four Drilled and Tapped Lugs
- Ideal for Exact Alignment
- Lighter Weight than Full Lug Bodies
- Lower Cost than Full Lug Bodies
- Easy Assembly and Maintenance
- Ease of Maintenance as Valves can Remain in Piping Systems when One Side of the Piping is Removed

DIMENSIONS / TECHNICAL DATA



Class 150 Concentric Butterfly Valves

SIZE	Class 150 Concentric Butterfly Valves										Flange Dimension		Mounting Base ISO 5211		Weight	
	A	D	E	F	H1	H2	H3	H4	G	K	C	T	C1	H1	ISO	lb
2"	1.69	3.98	6.09	2.56	2.83	5.01	0.53	2.22	0.55	0.43	4.75	5/8-11UNC	1.97	0.28	F05	5.29
2.5"	1.81	4.50	6.84	2.56	3.23	5.53	0.53	2.27	0.55	0.43	5.50	5/8-11UNC	1.97	0.28	F05	6.90
3"	1.81	5.09	7.42	2.56	3.76	6.23	0.53	2.97	0.55	0.43	6.00	5/8-11UNC	1.97	0.28	F05	7.98
4"	2.05	6.17	8.84	3.54	4.47	6.63	0.69	2.01	0.71	0.55	7.50	5/8-11UNC	2.76	0.35	F07	11.60
5"	2.20	7.48	9.92	3.54	5.08	7.15	0.69	2.01	0.71	0.55	8.50	3/4-10UNC	2.76	0.35	F07	14.42
6"	2.20	8.35	11.23	3.54	5.59	8.05	0.73	2.22	0.87	0.67	9.50	3/4-10UNC	2.76	0.35	F07	19.18
8"	2.36	10.40	13.60	4.92	6.77	9.04	0.96	2.03	1.11	0.87	11.75	3/4-10UNC	4.02	0.43	F10	28.26
10"	2.68	12.59	16.10	4.92	8.39	10.53	0.96	2.07	1.11	0.87	14.25	7/8-9UNC	4.02	0.43	F10	39.73
12"	3.07	14.69	18.85	5.91	9.53	11.54	1.04	2.01	1/43	1.06	17.00	7/8-9UNC	4.92	0.51	F12	58.47

- Larger sizes available through 24"
- Pressure Ratings: 2"-12" 200 PSI
- Dead End Service: 2"-3" 80 psi; 4" -12" 60psi
- Vacuum Service up to 28" Hg
- Stayflow valves are designed for bubble tight shut off either direction of flow. Each valve is factory tested 110% of their pressure rating.
- Blow out proof stem design

- A Corrosion resistant butterfly valve, designed for ANSI Class 125/150 Flanges. These valves comply with MSS- SP25, MSS-SP67 and API609 specifications, as well as meeting the requirements of MIL-V-22133C(ship) Type 1, Class A-D
- Positive Valve Position: When the handle is perpendicular to the pipe, the valve is shut. When the handle is parallel to the pipe, the valve is fully open. The orientation of the disc is indicated by a groove on the shaft end that is in line with the disc.

Stayflow Baseline Plus Series offers longer service life, greater reliability, ease of parts replacement and interchangeability of components.



312-428-4750

www.stayflowproducts.com

sales@stayflowproducts.com

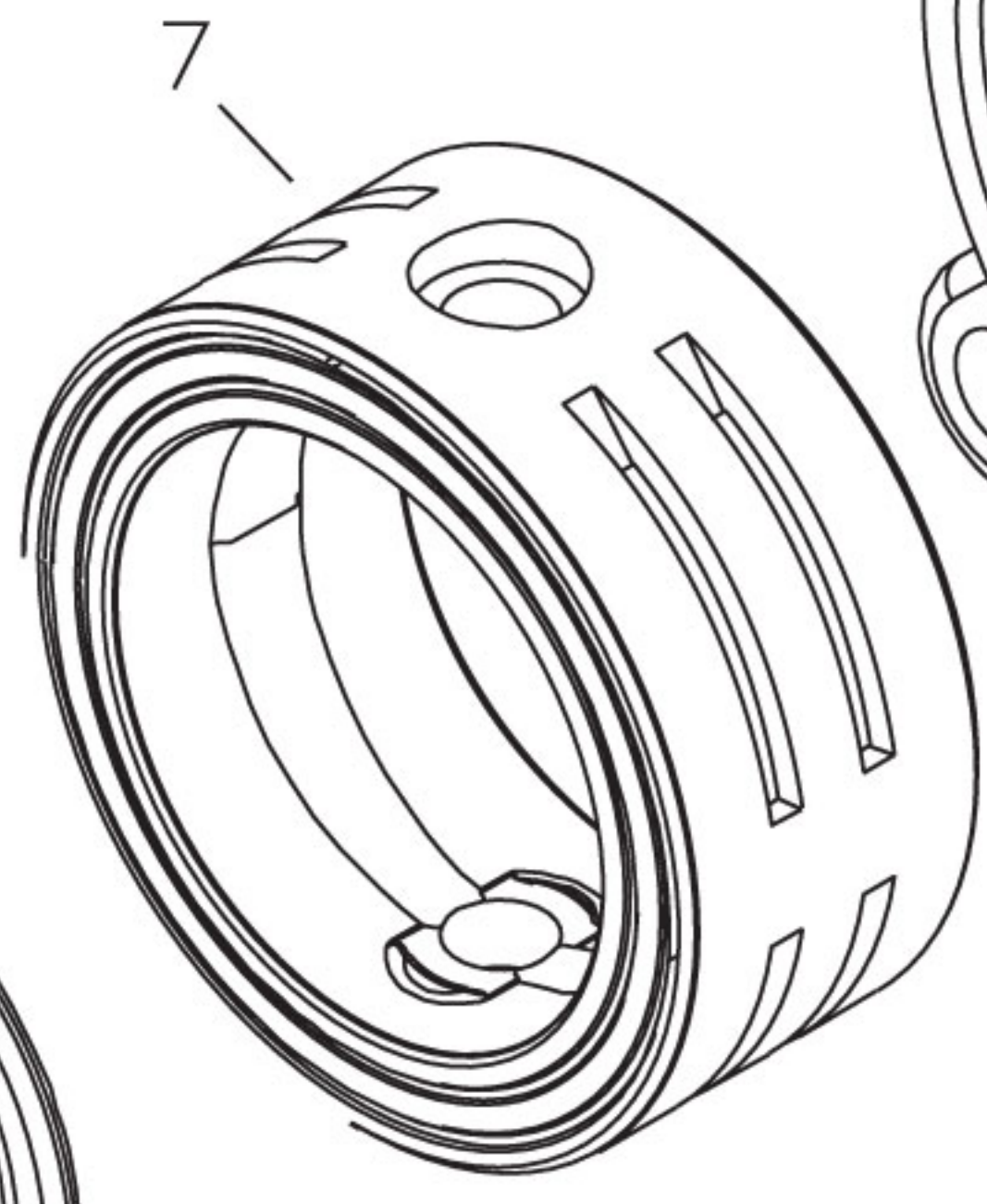
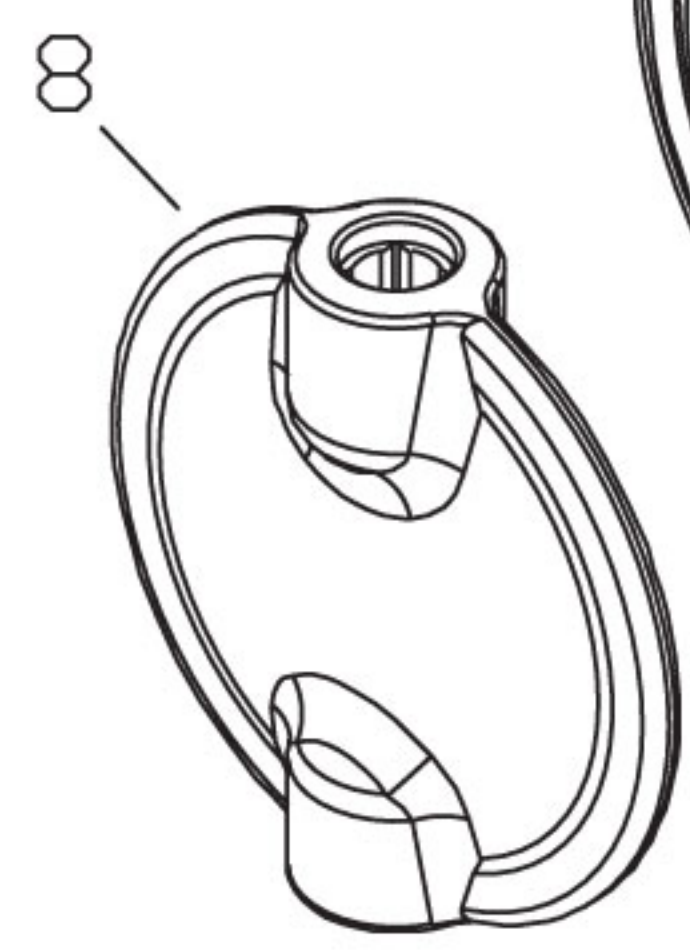
Butterfly Valve - Components / Design Features

Standard Parts List			
No.	Part Name	Qty.	Material
1	Stem	1	F316/17-4 Ph
2	Plate	1	SS
3	Screw	2	SS304
4	O-Ring	3	EPDM/VITON
5	Bushings	2	PTFE
6	Body	1	CF8M-SS316
7	Seat	1	EPDM/PTFE/VITON
8	Disc	1	CF8M-SS316
9	Bushing	1	Nylon
10	Stem Guide	1	F316/17-4 PH
11	O-Ring	1	Buna - N
12	Plug	1	F316

SL Series Semi-Lug Body

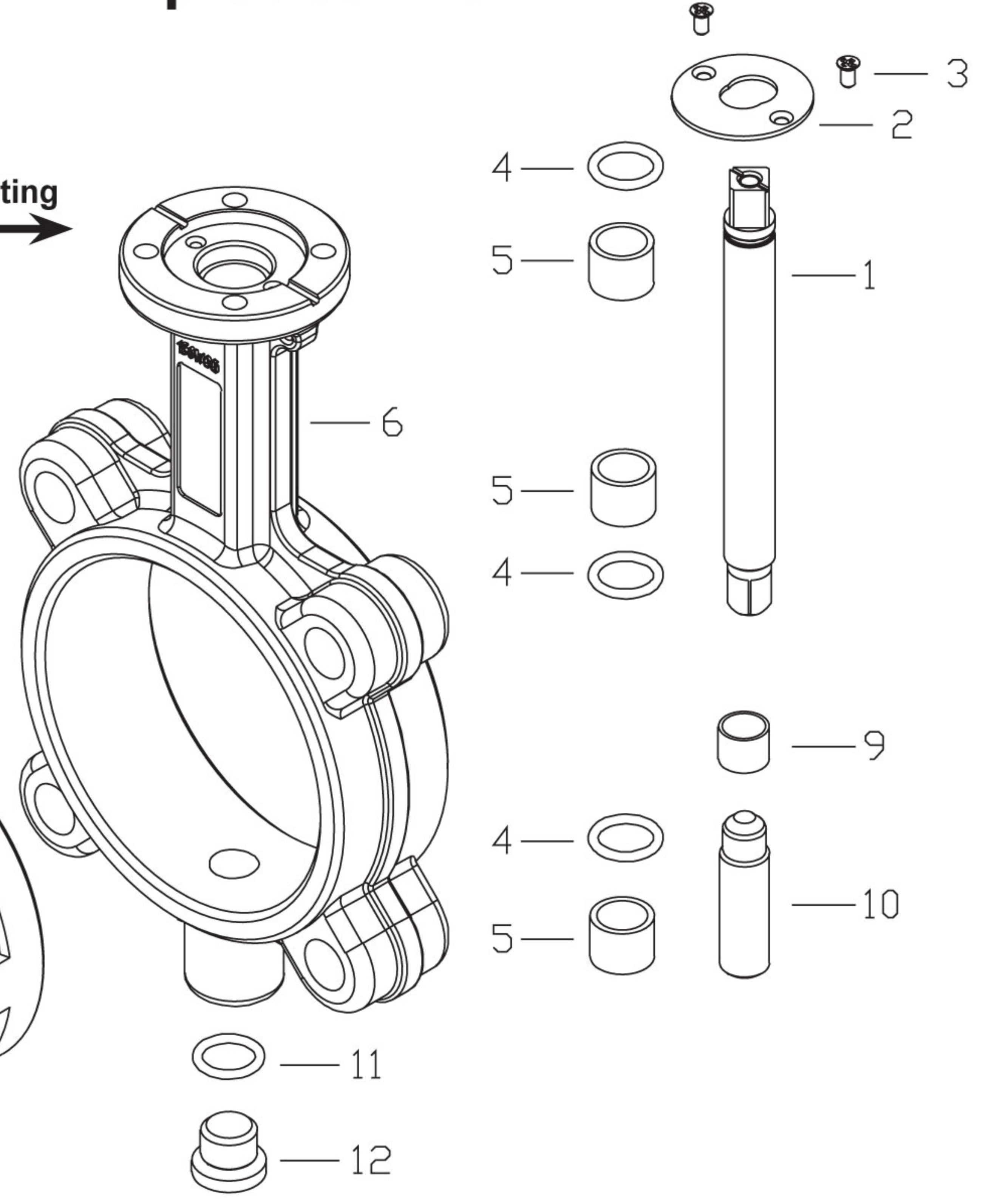
Four Threaded Body Lugs, Threads can be removed if desired

Investment Cast Stainless Body



Exploded View

ISO 5211
Actuator Mounting



Unique 10-position Locking Handle

- Body and Disc, all sizes, are made by investment casting.
- High strength, square drive (2" - 12") ensures a positive shaft to disc connection.
- Disc floats inside the seat for positive sealing and extended seat life.
- No pins or bolts exposed to flow.

Design Features

One piece body with extended neck allows clearance for flanges and up to 2 inches or more of insulation.

Primary stem seals are formed by preloaded contact between the disc and seat. A secondary seal is effected by having a stem diameter greater than the stem hole in resilient seat.

Field replaceable, phenolic bonded cartridge seat is blowout proof, stretch resistant and non-collapsible, making it an ideal seat design for high velocity or vacuum service. Our resilient seat design eliminates the need for flange gaskets.

Optimal Performance Design



Accurate and smooth machined profile of disc edge requires minimal deformation of the resilient elastomer liner to achieve a positive seal. The low deformation results in low torque, less wear of the seat liner and increased operational life.

Stayflow Performance Series Butterfly Valve Model Number Codes														
Model	Body Material	Disc Material	Stem Material	Seat Material	Stem Seal O-Ring	Operator	Size							
53	Stainless Steel	SS	Stainless 316	SS	Stainless 316	SS	EPDM	E	EPDM	E	Lever	L	2"	50
	Carbon Steel	CS	Stainless 304	S4	Stainless 416	S6	Buna	B	Buna	B	Gear	G	2.5"	65
	Aluminum	AB	Alloy 20	A2	Stainless 304	S4	Viton	V	Viton	V	Bare Stem	N	3"	80
	Alloy 20	A2	Duplex	DP	Alloy 20	A2	Teflon	T			Actuator	A	4"	100
	Duplex	DP			Duplex	DP							5"	125
					17-4Ph	S7							6"	150
													8"	200
													10"	250
												12"	300	

Ordering Example by Part Number							
Model	Body Material	Disc Material	Stem Material	Seat Material	Stem Seal O-Ring	Operator	Size
53	- SS	- SS	- SS	- B	- E	- L	- 250